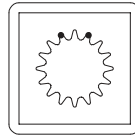


art. A145
H 180 L 40 cm

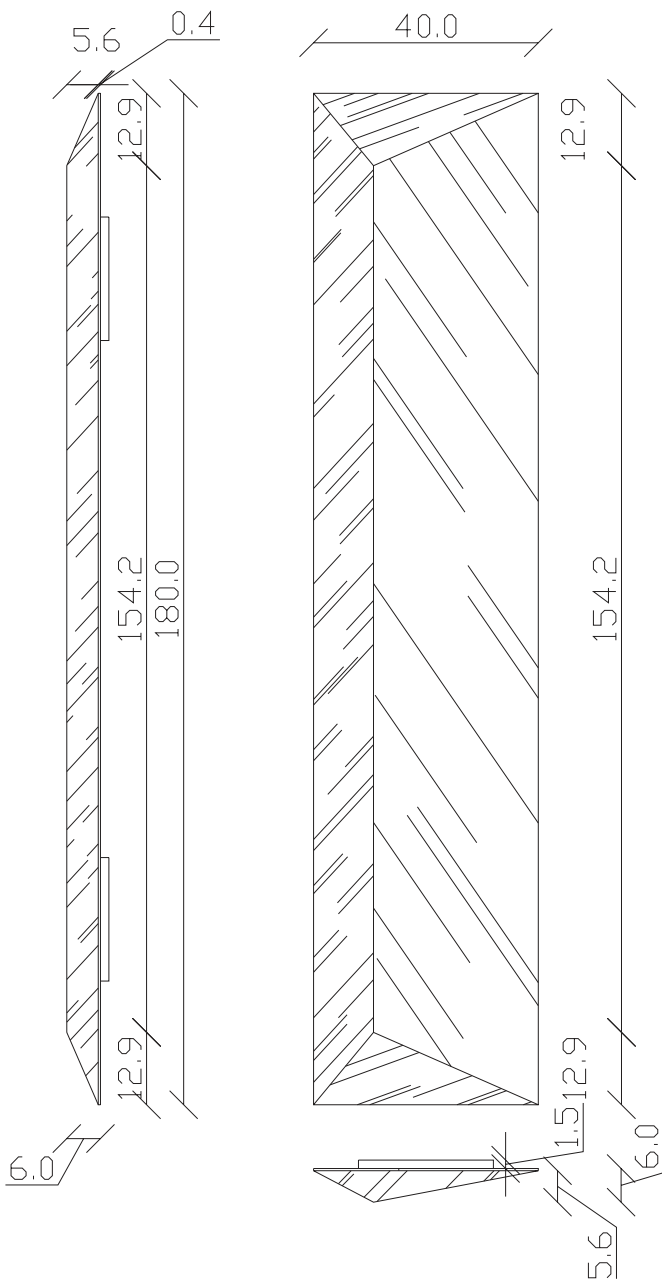
FISSAGGIO SPECCHIO
AL MURO VERTICALE
Fastening of the mirror to
the wall vertically



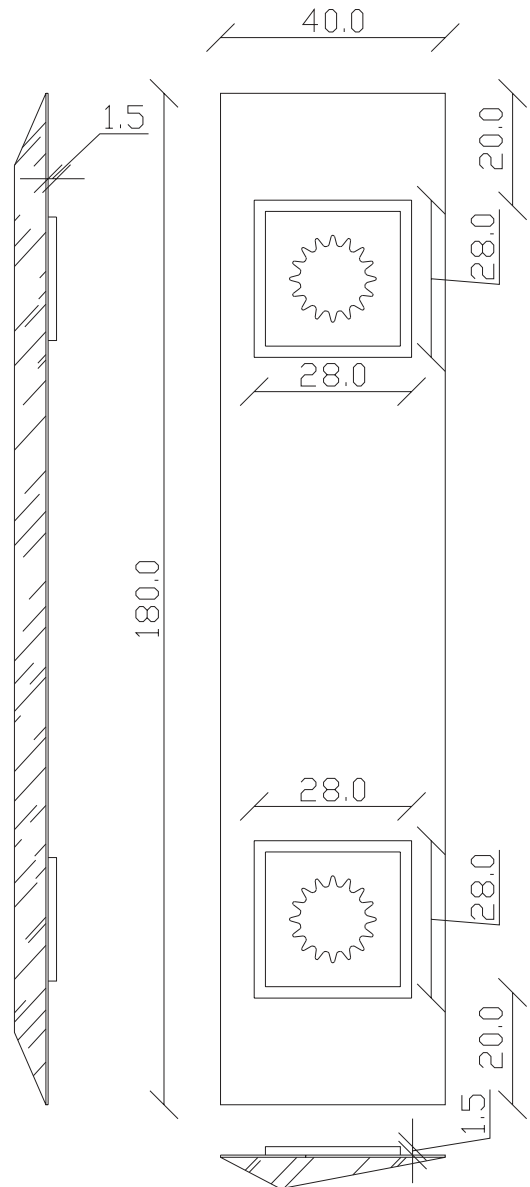
PER AVERE STABILITA' NEL MONTAGGIO
DELLO SPECCHIO, E' CONSIGLIABILE
FISSARE I TASSELLI IN DOTAZIONE COME DA
FIGURA.

In order to get stability in the assembly of the
mirror, it is recommended to secure the fischer
plugs as shown in the picture.

SPECCHIO VISTA FRONTALE
front view mirror

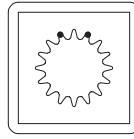


SPECCHIO VISTA RETRO
rear view mirror



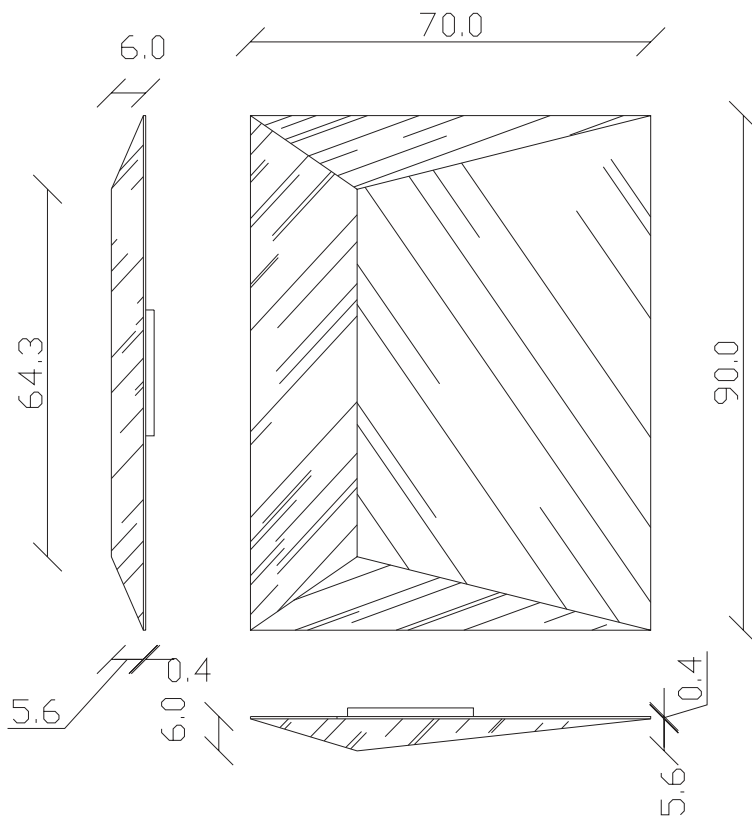
art. A144
H 70 L 90 cm

FISSAGGIO SPECCHIO
AL MURO VERTICALE
Fastening of the mirror to
the wall vertically



PER AVERE STABILITA' NEL MONTAGGIO
DELLO SPECCHIO, E' CONSIGLIABILE FISSARE
I TASSELLI IN DOTAZIONE COME DA FIGURA.
In order to get stability in the assembly of the
mirror, it is recommended to secure the fischer
plugs as shown in the picture.

SPECCHIO VISTA FRONTALE
front view mirror



SPECCHIO VISTA RETRO
rear view mirror

