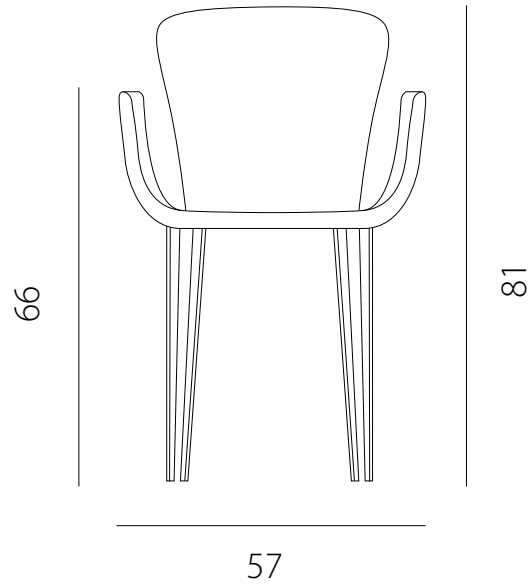


art. GIA4

L 57 x P 54 x H 81 cm / Hs 50 - bracc. H 66 cm

SEDIA VISTA FRONTALE / front view chair



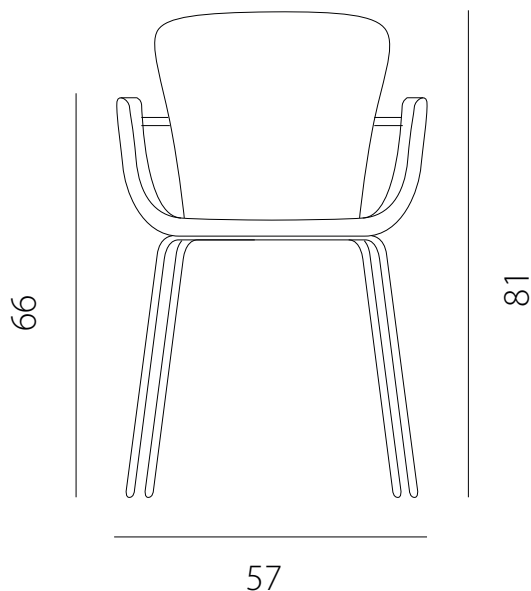
SEDIA VISTA LATERALE / side view chair



art. GIAD

L 57 x P 60 x H 81 cm / Hs 50 - bracc. H 66 cm

SEDIA VISTA FRONTALE / front view chair



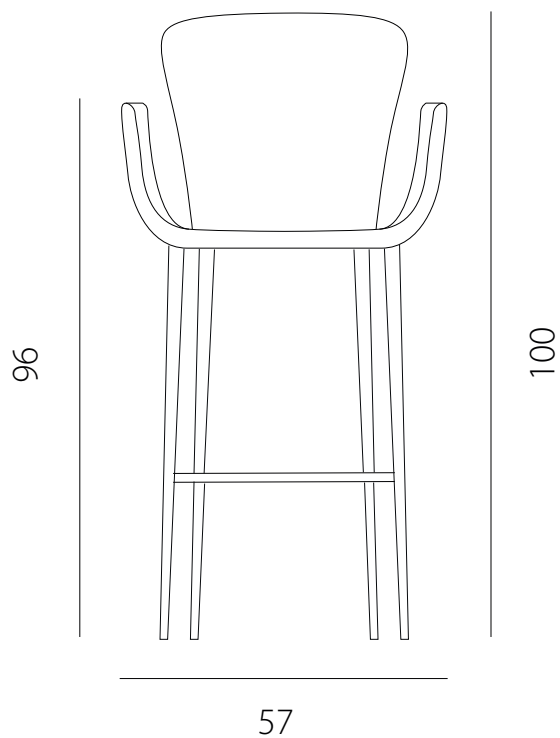
SEDIA VISTA LATERALE / side view chair



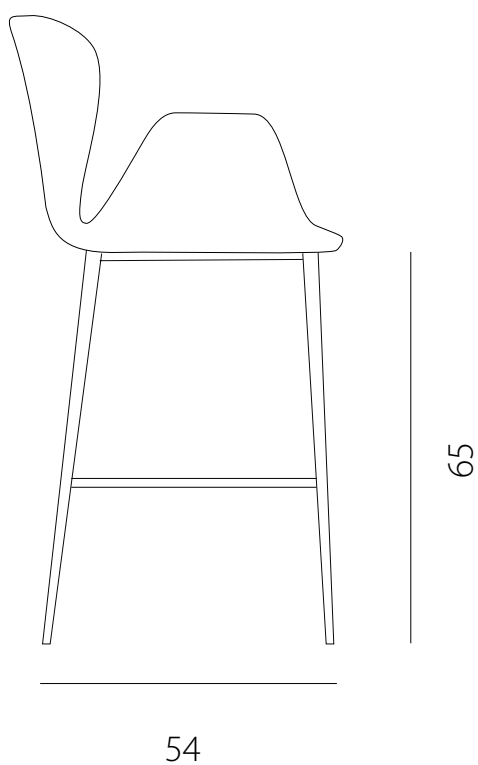
art. GBG4

L 57 x P 54 x H 100 cm / Hs 65 cm

SGABELLO VISTA FRONTALE / front view chair



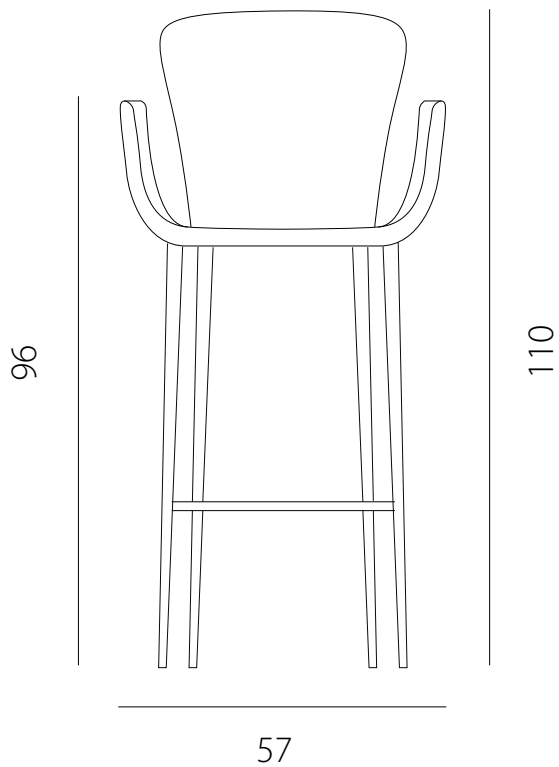
SGABELLO VISTA LATERALE / side view chair



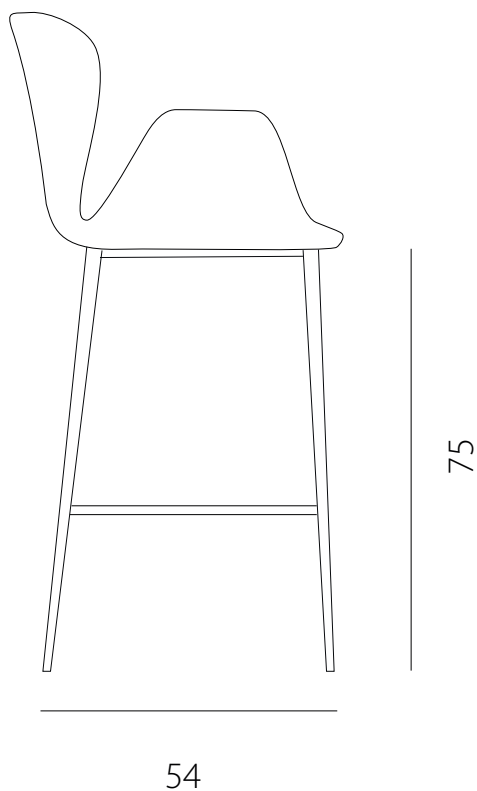
art. GBG4

L 57 x P 54 x H 100 cm / Hs 75 cm

SGABELLO VISTA FRONTALE / front view chair



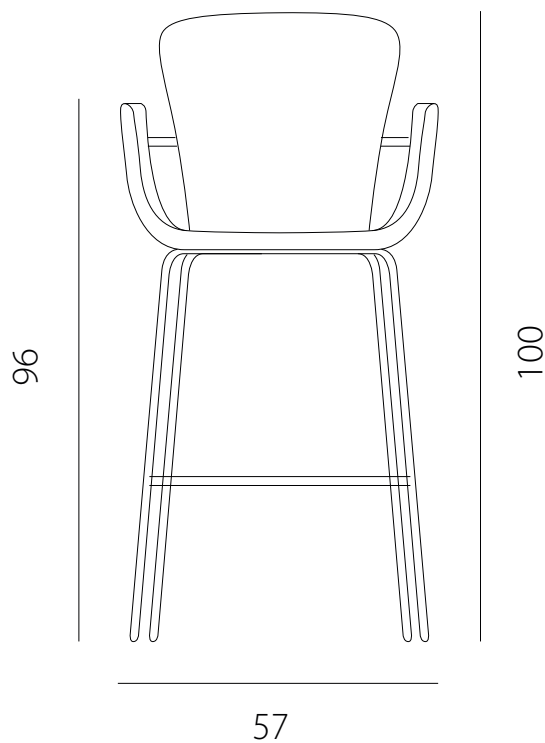
SGABELLO VISTA LATERALE / side view chair



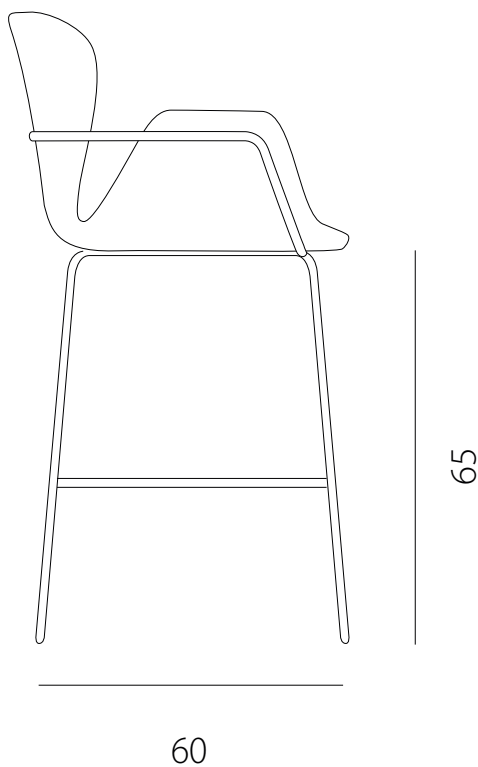
art. GBGD

L 57 x P 60 x H 100 cm / Hs 65 cm

SGABELLO VISTA FRONTALE / front view chair



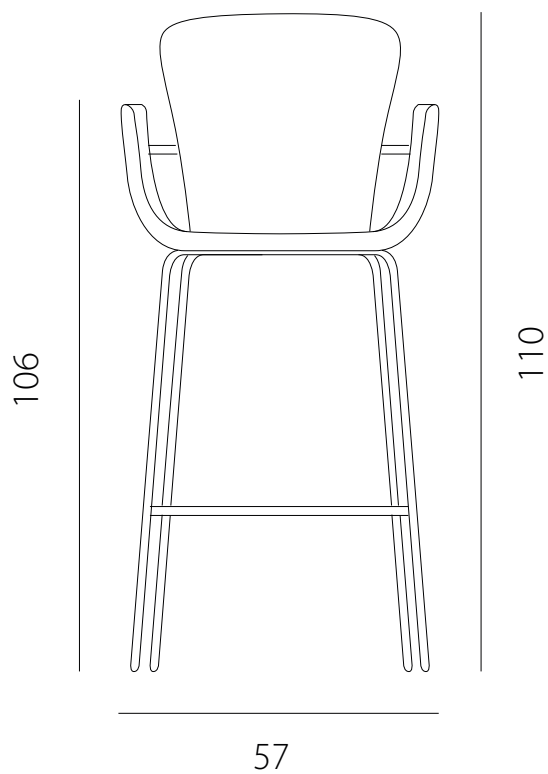
SGABELLO VISTA LATERALE / side view chair



art. GBGD

L 57 x P 60 x H 110 cm / Hs 75 cm

SGABELLO VISTA FRONTALE / front view chair



SGABELLO VISTA LATERALE / side view chair

